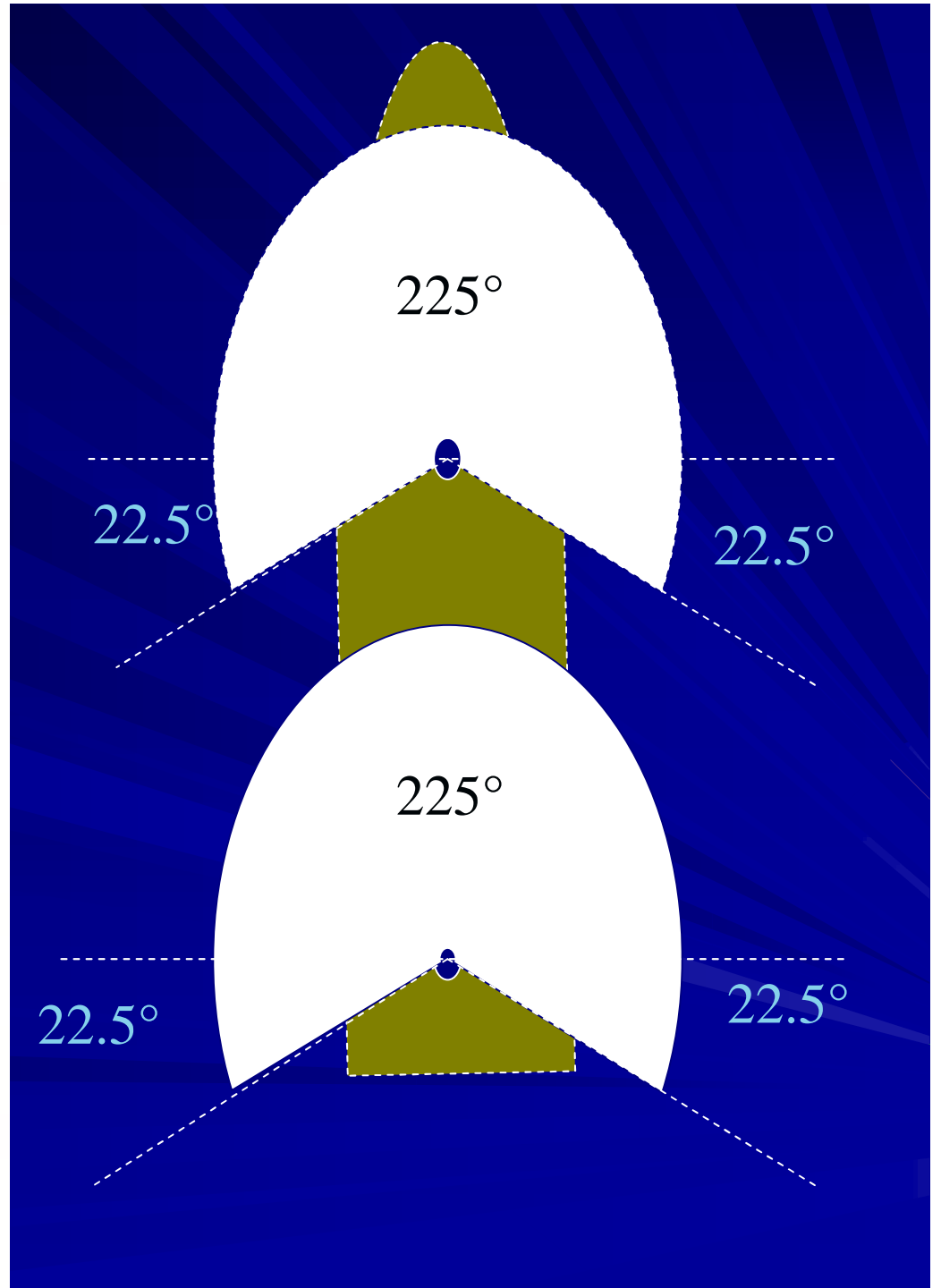


Rule 21

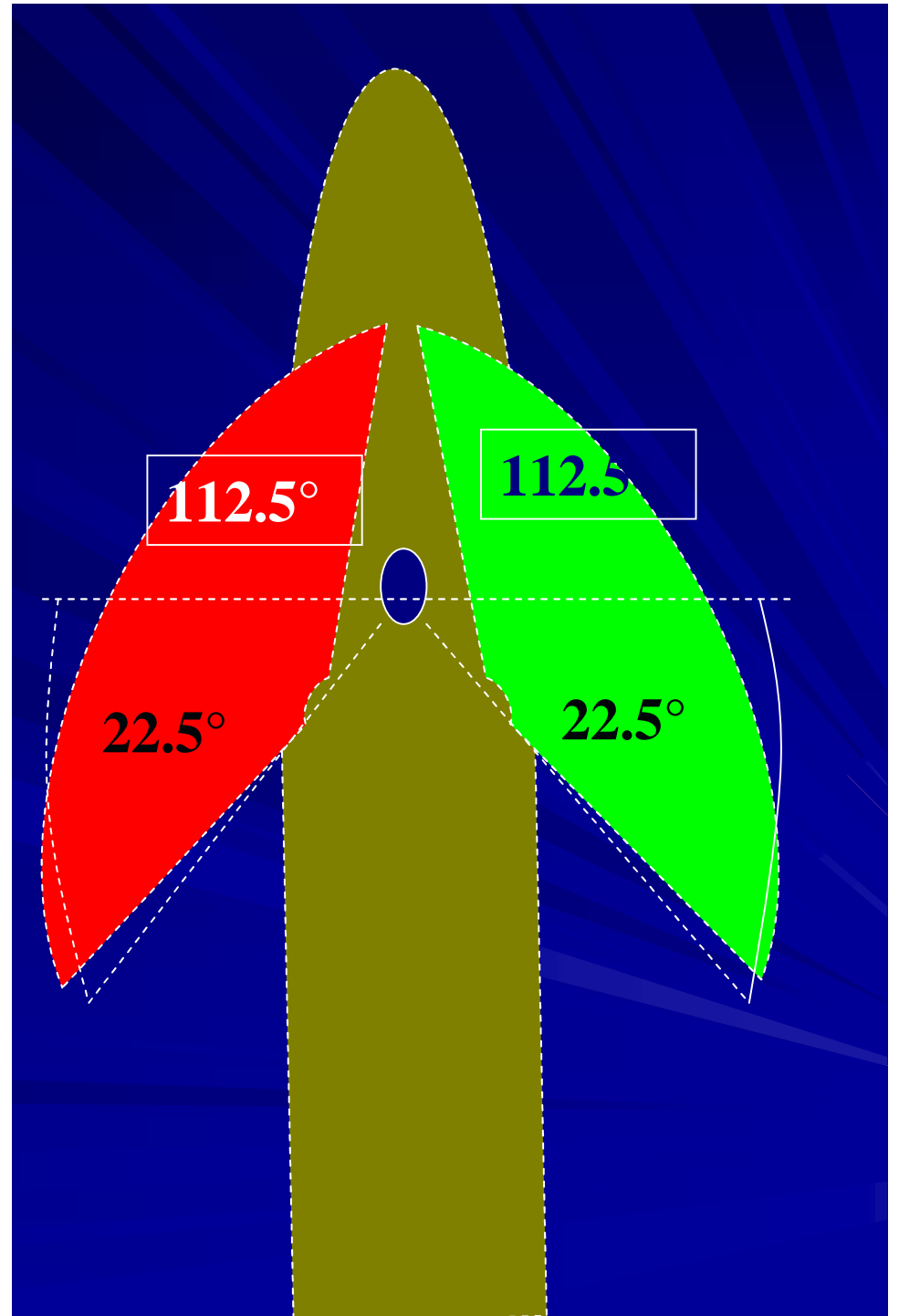
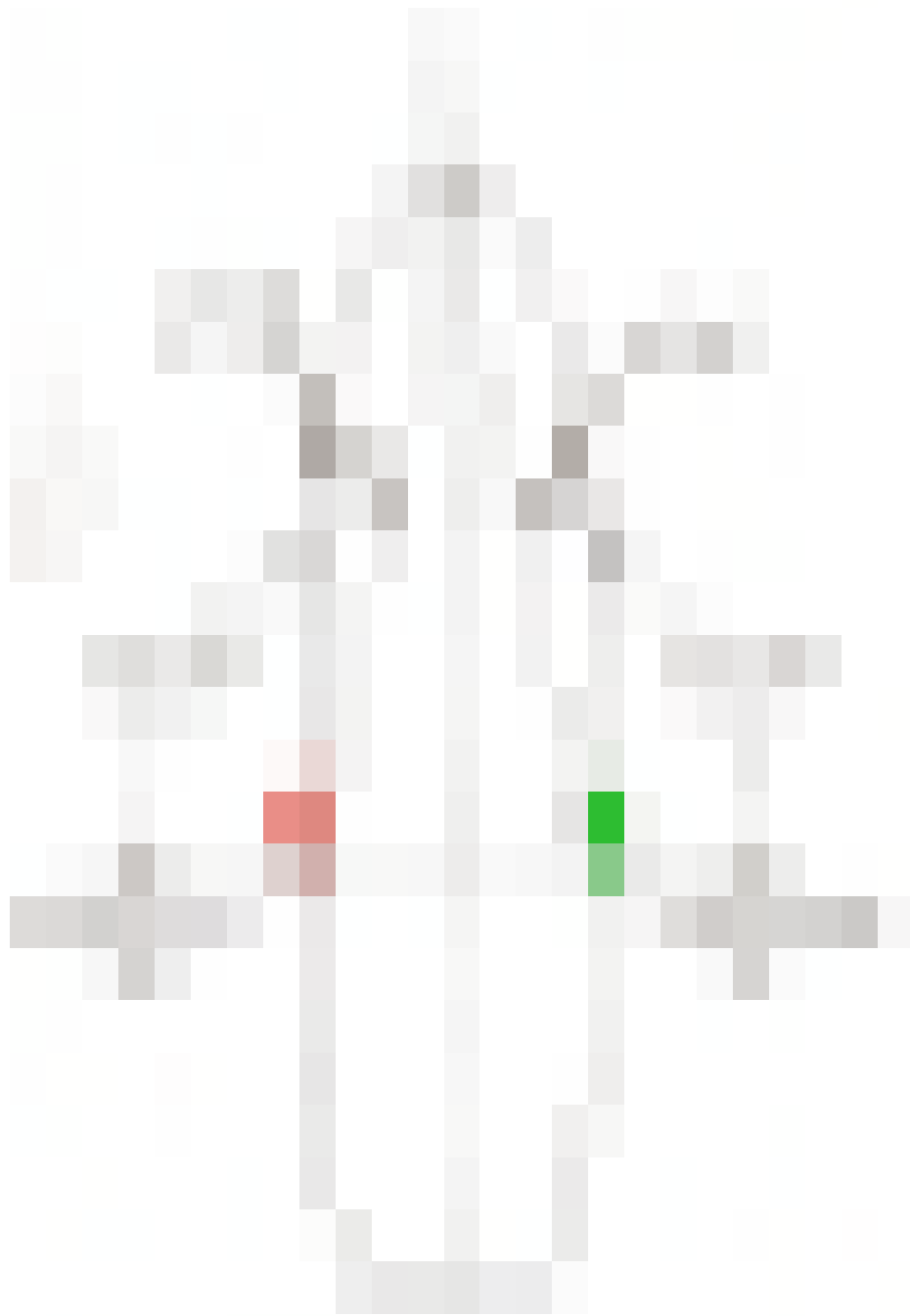
Definitions

**"Masthead light"** means a white light placed over the fore and aft centerline of the vessel showing an unbroken light over an arc of horizon of 225 degrees and so fixed as to show the light from right ahead to 22.5 degrees abaft the beam on either side of the vessel.





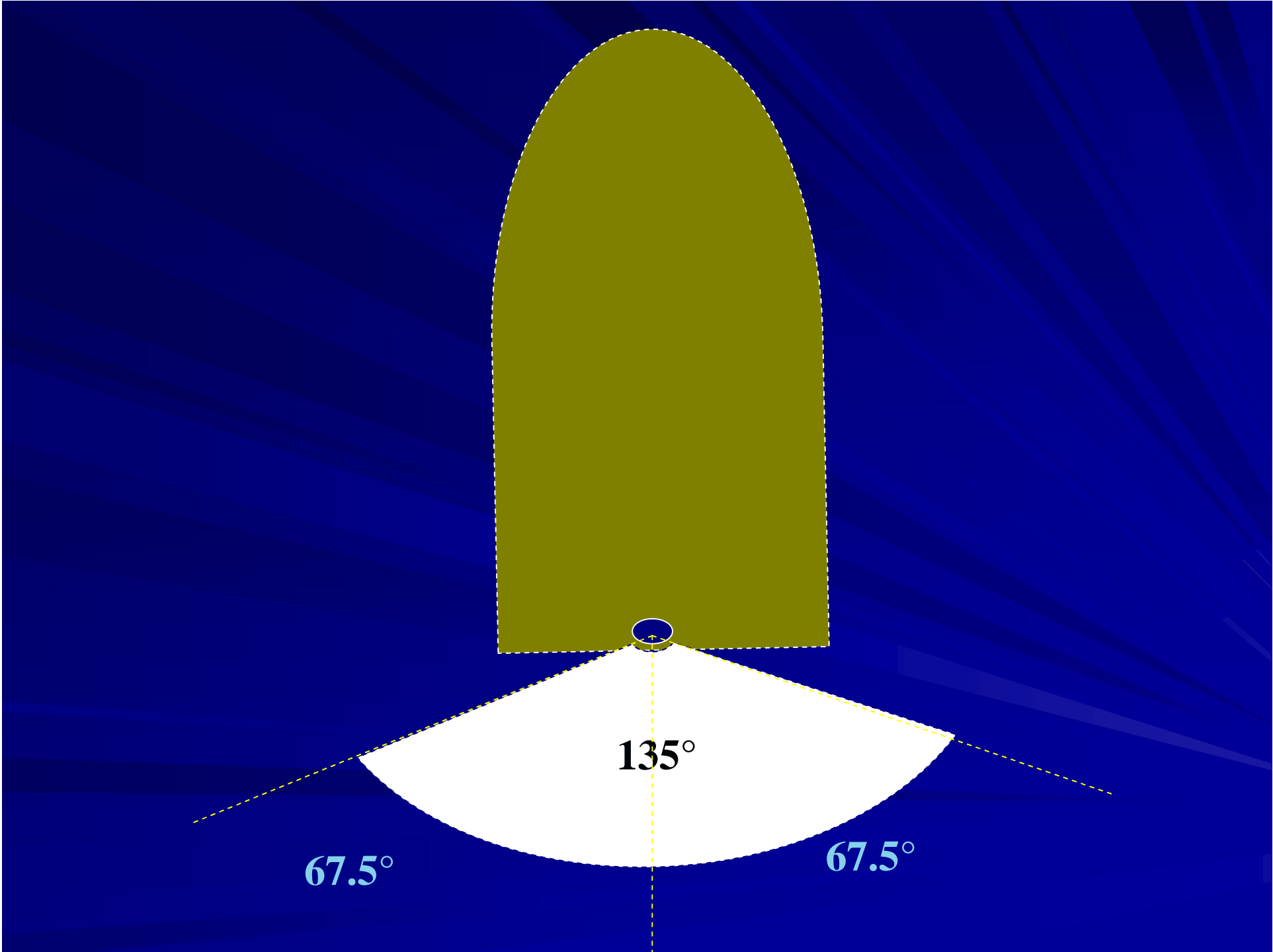
**"Sidelights"** means a **green light** on the starboard side and a **red light** on the port side each showing an unbroken light over an arc of horizon of 112.5 degrees and so fixed as to show the light from right ahead to 22.5 degrees abaft the beam on the respective side.





**"Sternlight"**, means a white light placed as nearly as practicable at the stern showing an unbroken light over an arc of horizon of 135 degrees and so fixed as to show the light 67.5 degrees from right aft on each side of the vessel.



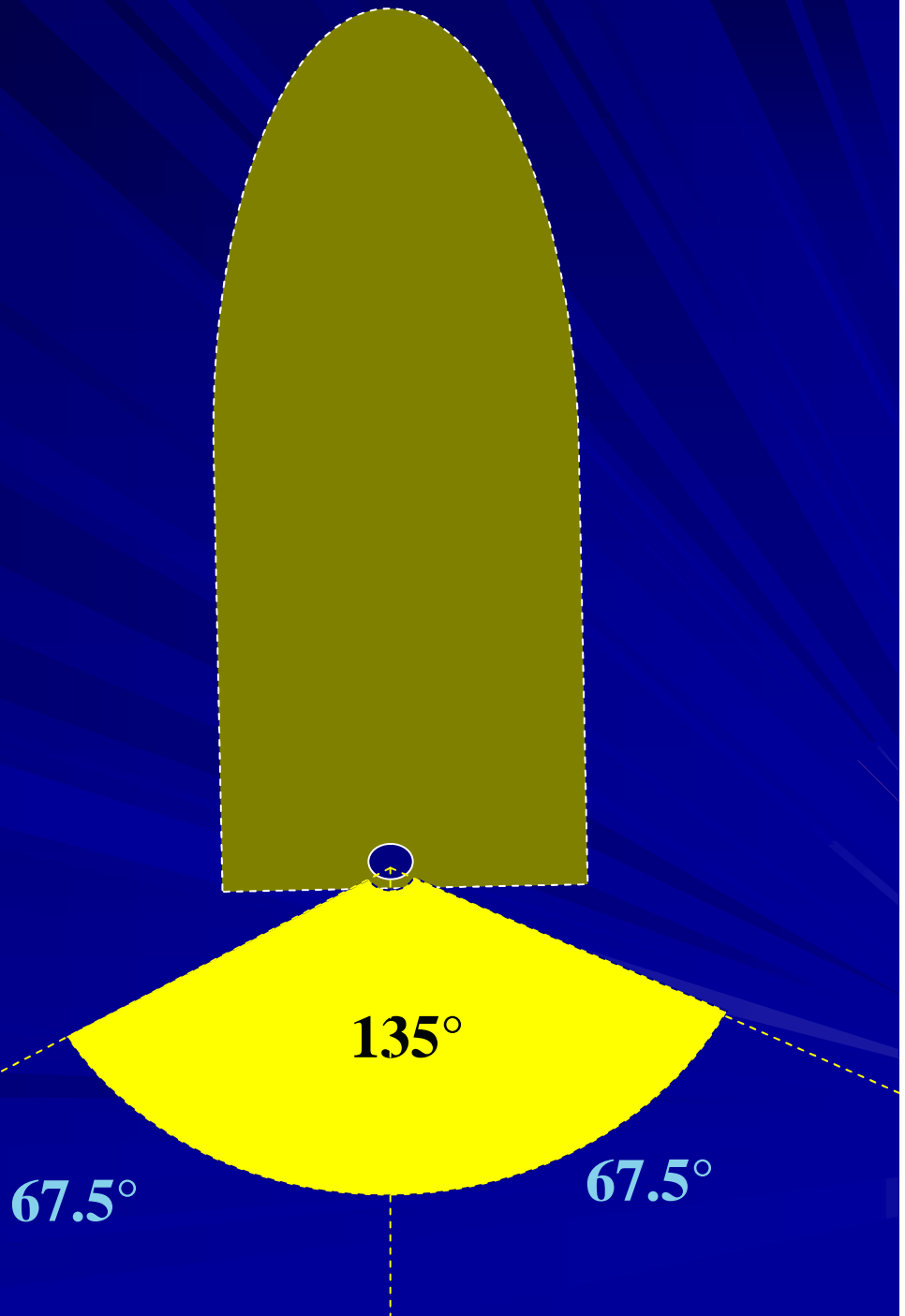
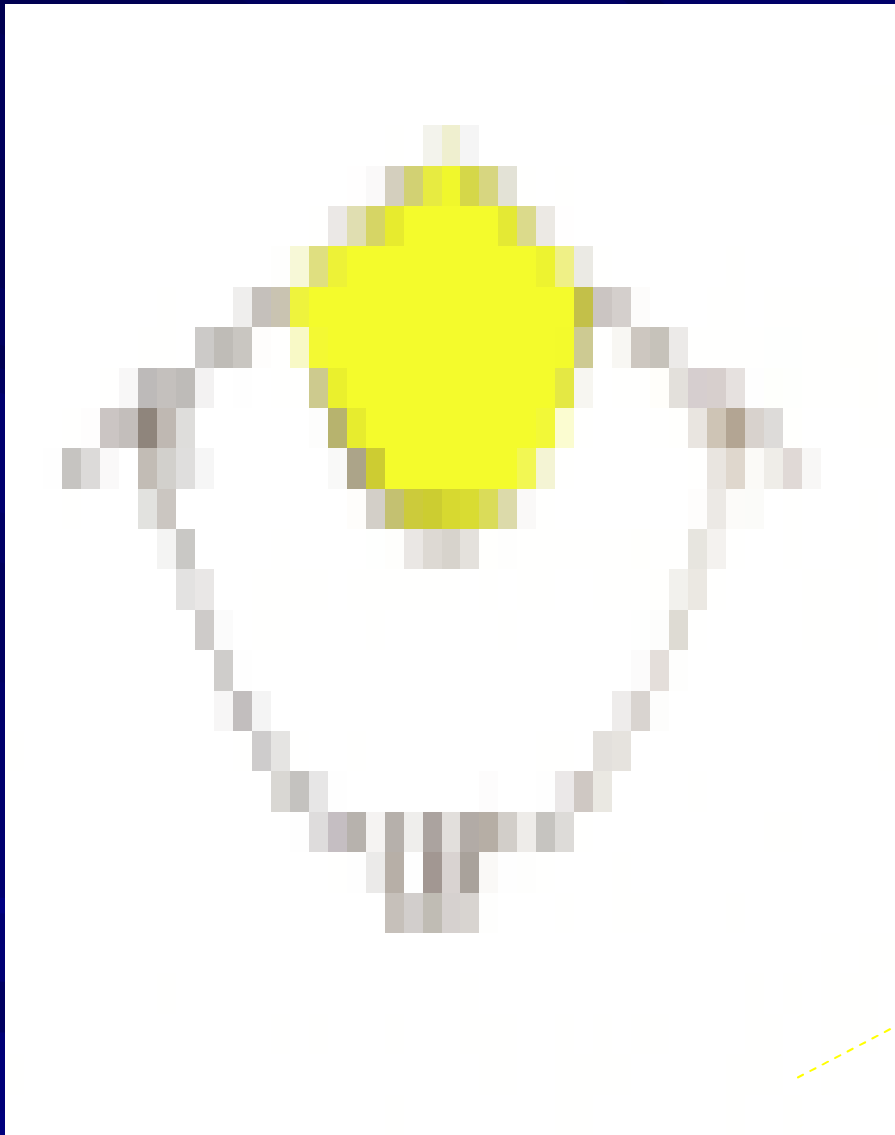




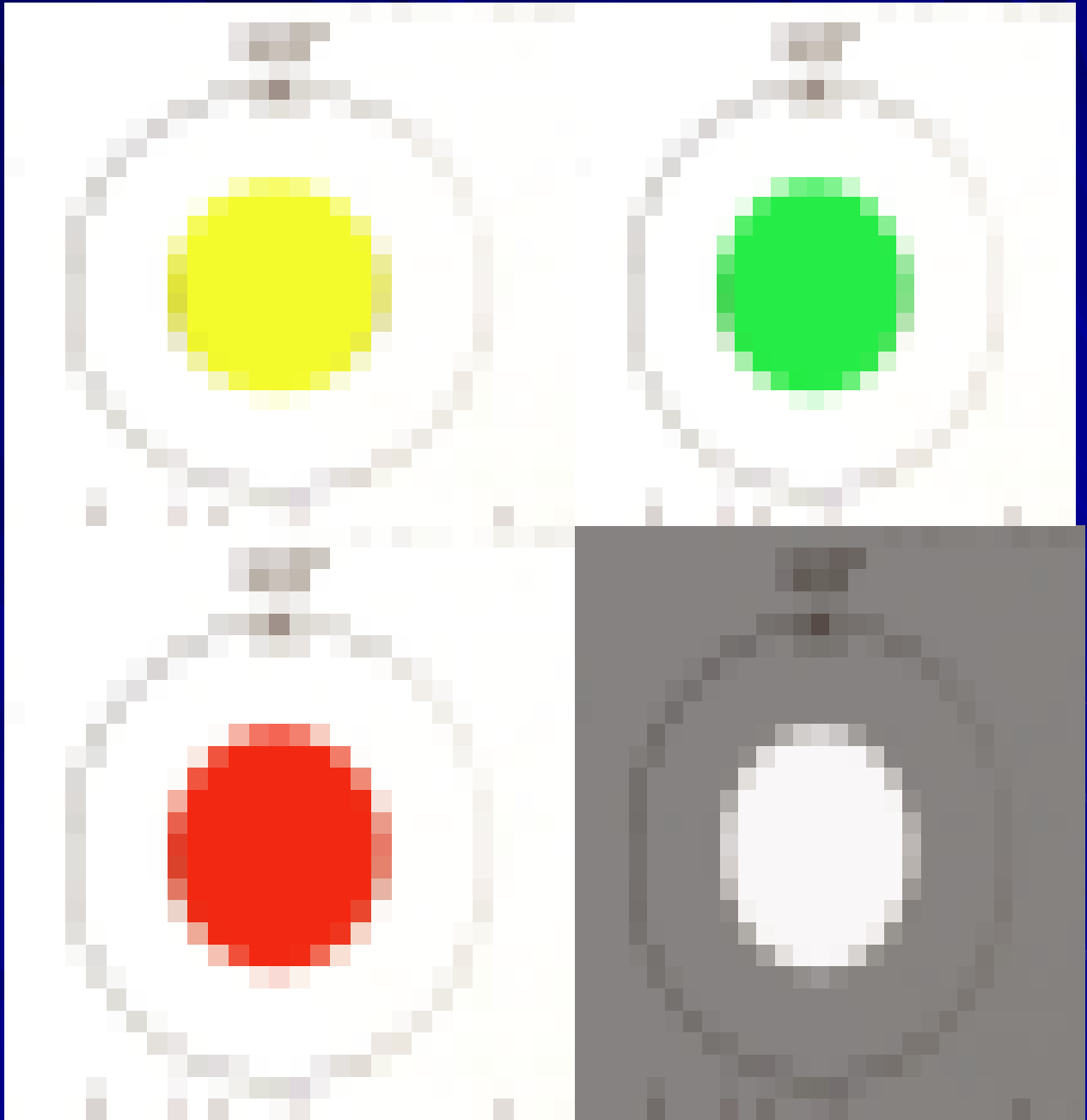
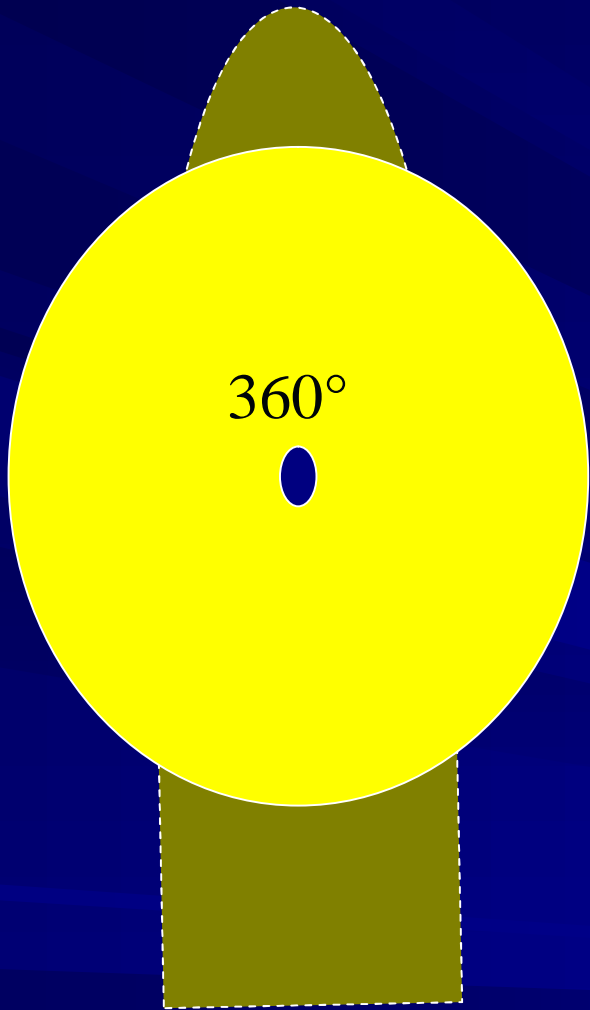




**"Towing light"** means a **yellow light** having the same characteristics as the "stern light" defined in paragraph (c) of this Rule.



**'All round light'** means a light showing an unbroken light over an arc of horizon of 360 degrees.

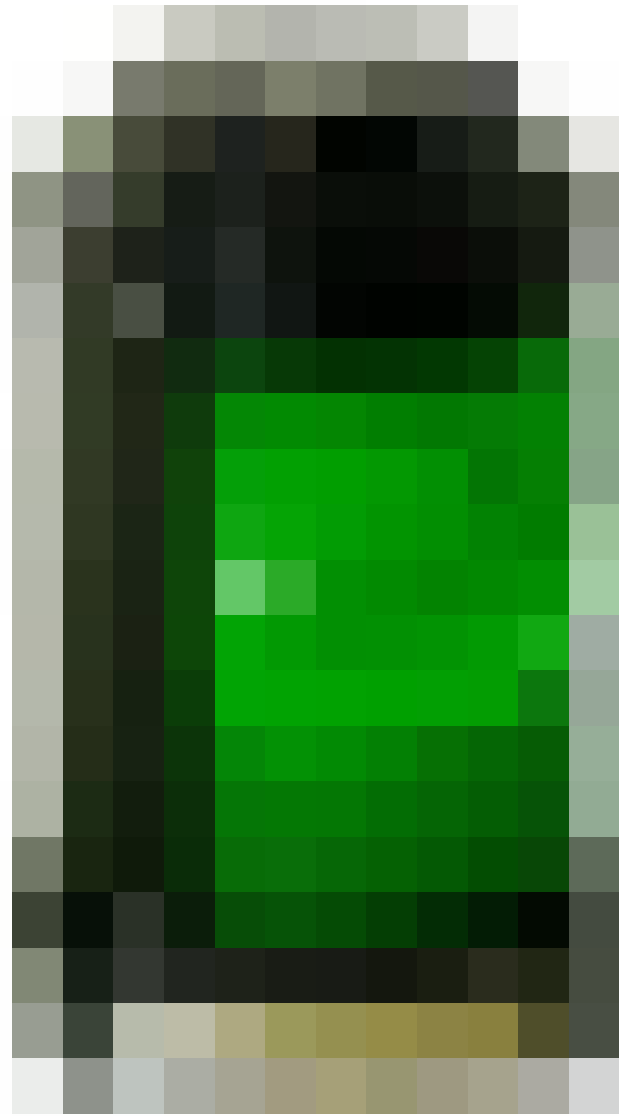
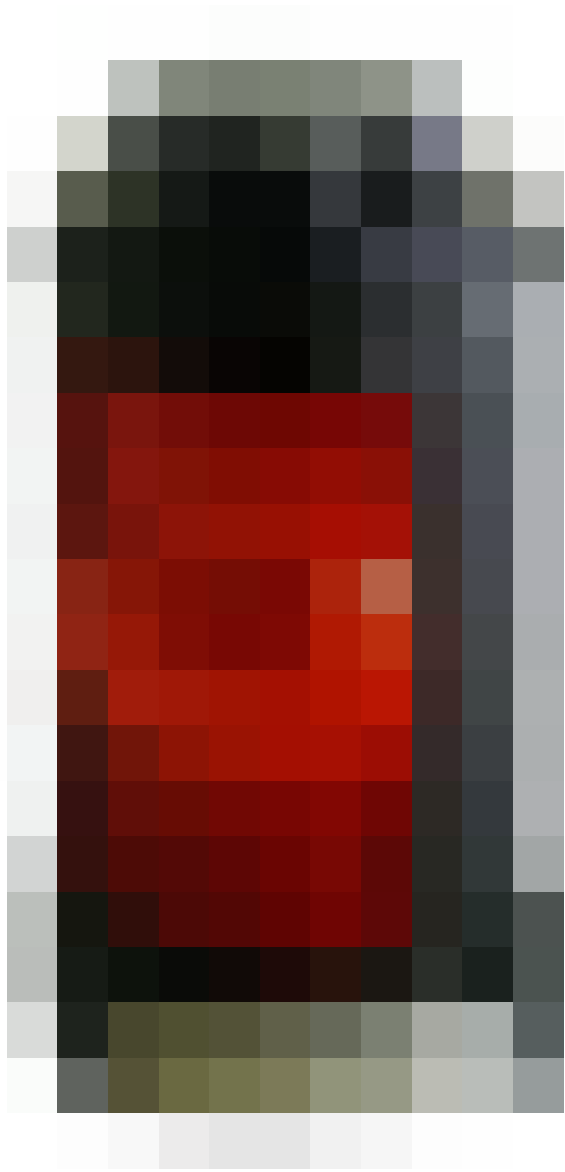
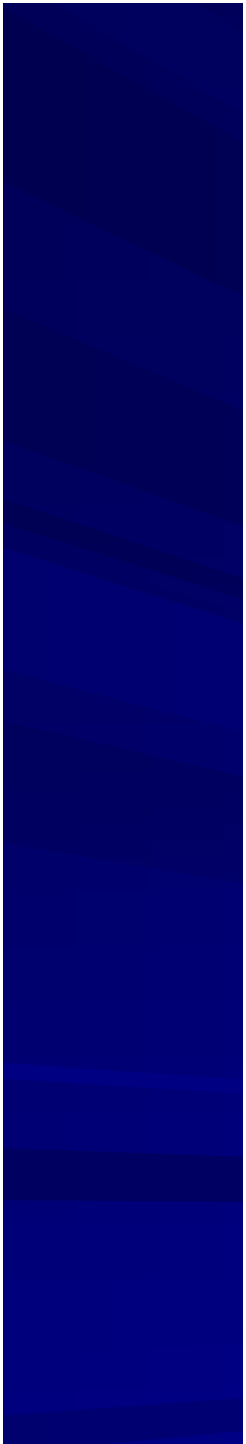


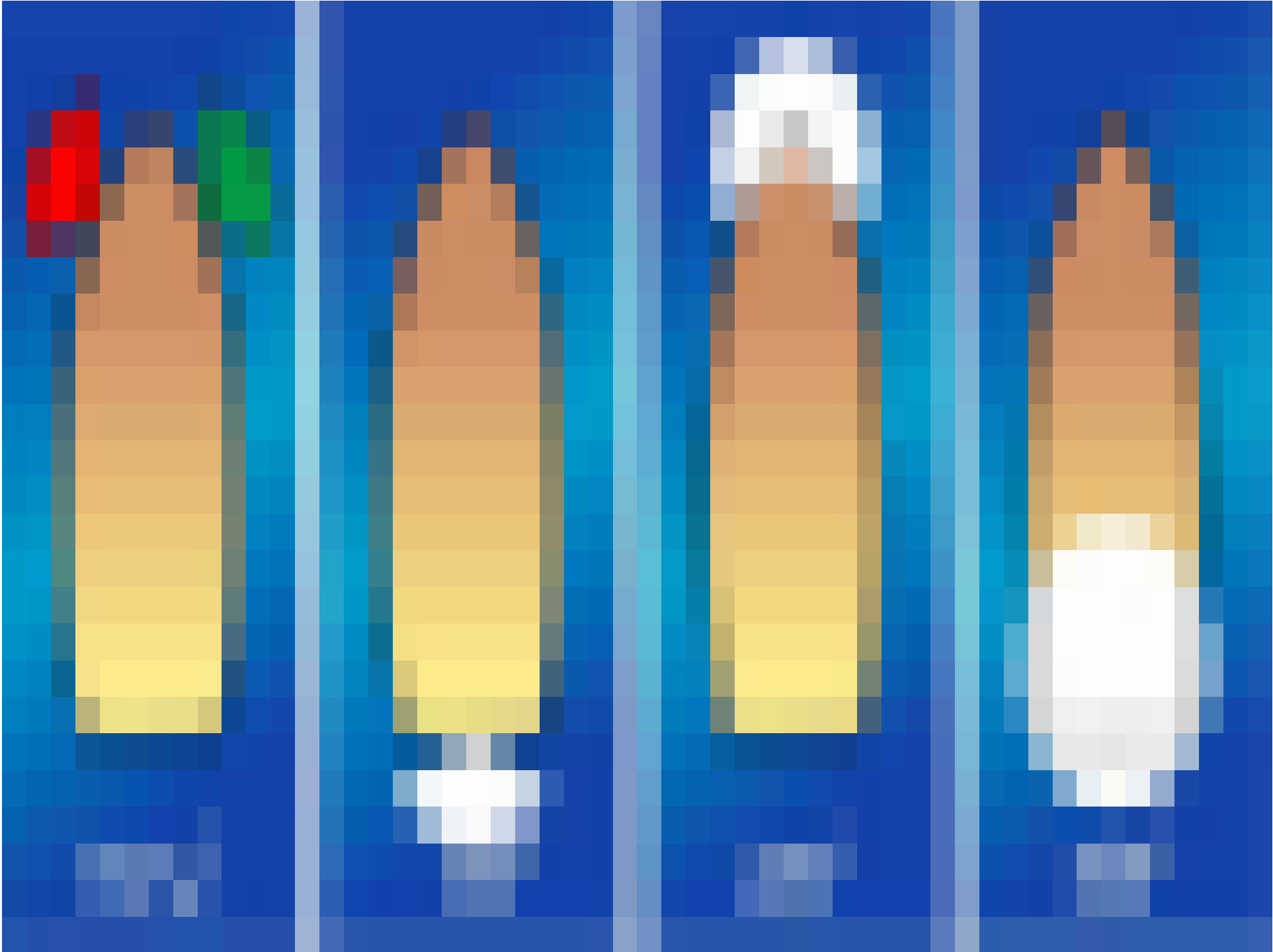


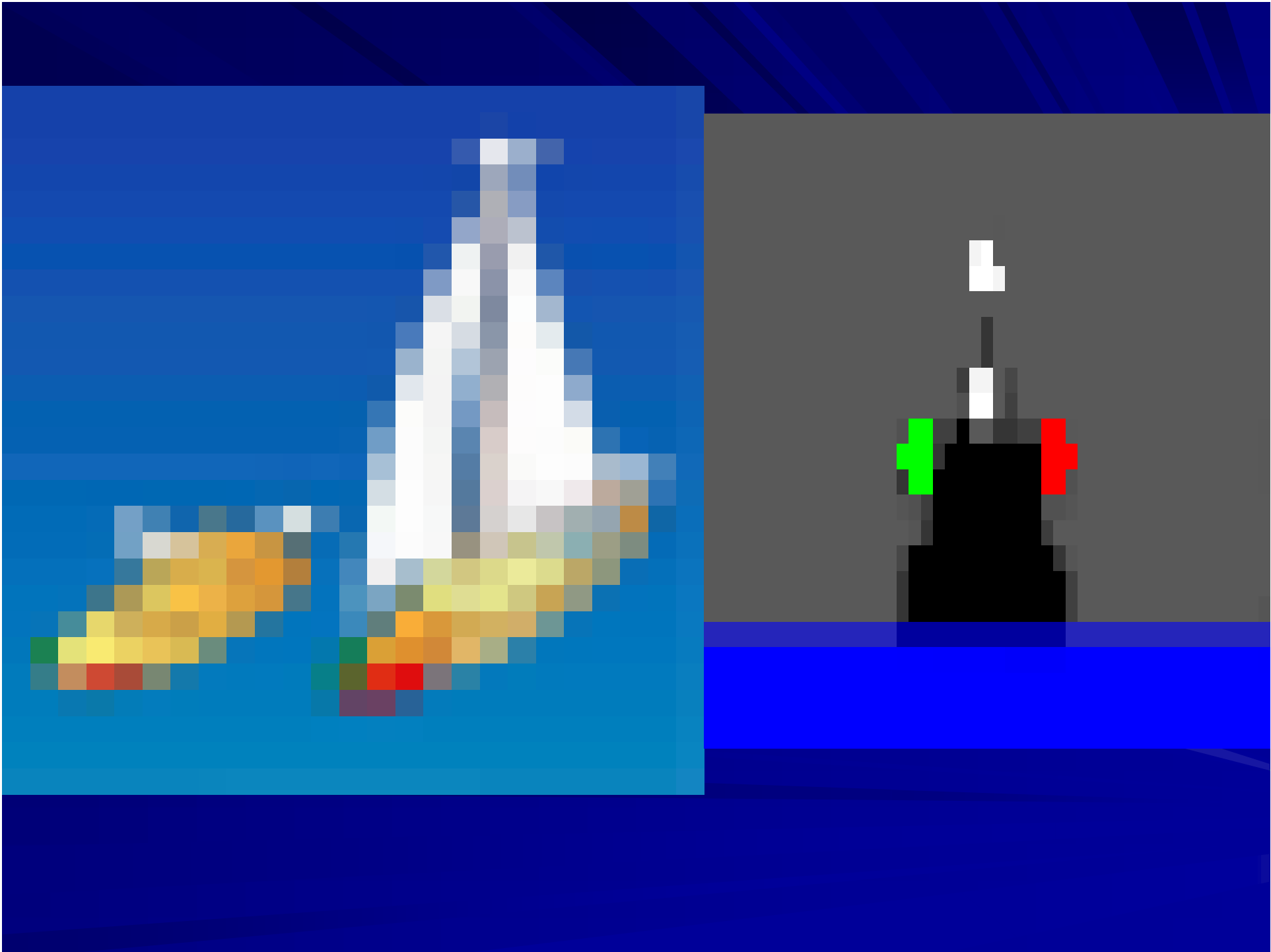


**'Flashing light'** means a light flashing at regular intervals at a frequency of 120 flashes or more per minute.









*End of Rule 21*